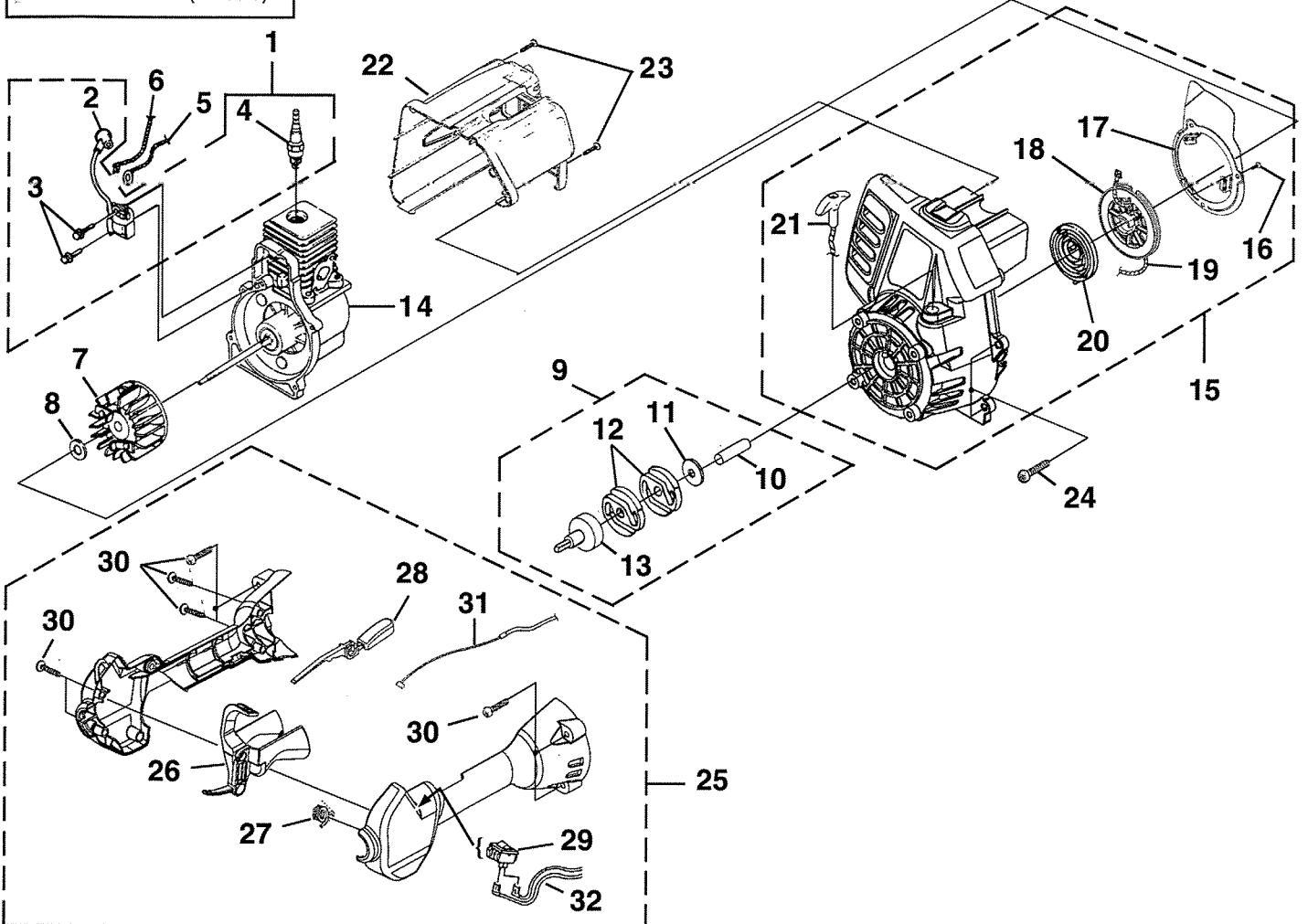


Clutch
ST525 (UT15177)

IGNITION - ROTOR - STARTER - CLUTCH



No.	Part No	Description	.
1	• A 07174	IGNITION KIT	1
2	UP 03868	TERMINAL & COVER	1
3	UP 03896	SCREW-Taptite (8-32 X 1")	2
4	UP 03883	SPARK PLUG	1
5	A 06964	LEAD-Electrical	1
6	A 06963	LEAD-Electrical	1
7	UP 03009	ROTOR KIT	1
8	PS 84065	WASHER-Flat	1
9	•UP 00034	CLUTCH AND DRUM KIT	1
10	UP 04118	SPACER	1
11	98929 A	WASHER-Flat	1
12	UP 04103	CLUTCH	2
13	A 02727	CONNECTOR AND DRUM	1
14	UP 02995	SHORT BLOCK (See Engine Internal)	1
15	•UP 02963	COMPLETE STARTER ASSEMBLY	1
16	82543	SCREW-Thread Form (8-16 X 1/2")	3
17	UP 03013	BAFFLE-Air	1
18	UP 03012	PULLEY-Starter	1
19	UP 03912	ROPE-Starter (42")	1
20	UP 03917	SPRING & CONTAINER	1
21	UP 03026	GRIP-Starter (Yellow)	1
22	•UP 02964	HOUSING-Rear Kit	1
23	UP 03900	SCREW-Plastite (10-14 X 3/4")	2
24	UP 03406	SCREW-Taptite (10-24 X 3/4")	4

No.	Part No	Description	.
25	•UP 03114	CONTROL HANDLE ASSY.	1
26	•UP 03207	TRIGGER-Throttle	1
27	UP 03210	SPRING	1
28	UP 03173	THROTTLE INTERLOCK	1
29	UP 04197	SWITCH	1
30	UP 04247	SCREW-Taptite (10-14 X 1")	9
31	UP 03172	CABLE-Throttle	1
32	UP 03174	LEAD-Electrical	1

Torque Specs			
Item No.	In/Lbs	Nm	Required Loctite
3	30-40	3.4-4.5	Blue 242
4	120-180	13.6-20.3	
16	10-20	1.1-2.3	
23	30-50	3.4-5.6	
24	30-40	3.4-4.5	
30	30-50	3.4-5.6	

Warranty Flat Rate		
Job	Description	Time/Hr.
FA11	Ignition Mod.	.3
FA12	Ground Lead	.3
FG10	Starter	.4
FD12	Engine Housing, Rear	.4
FF13	Trigger, Throttle cable	.3

Non-Clutch

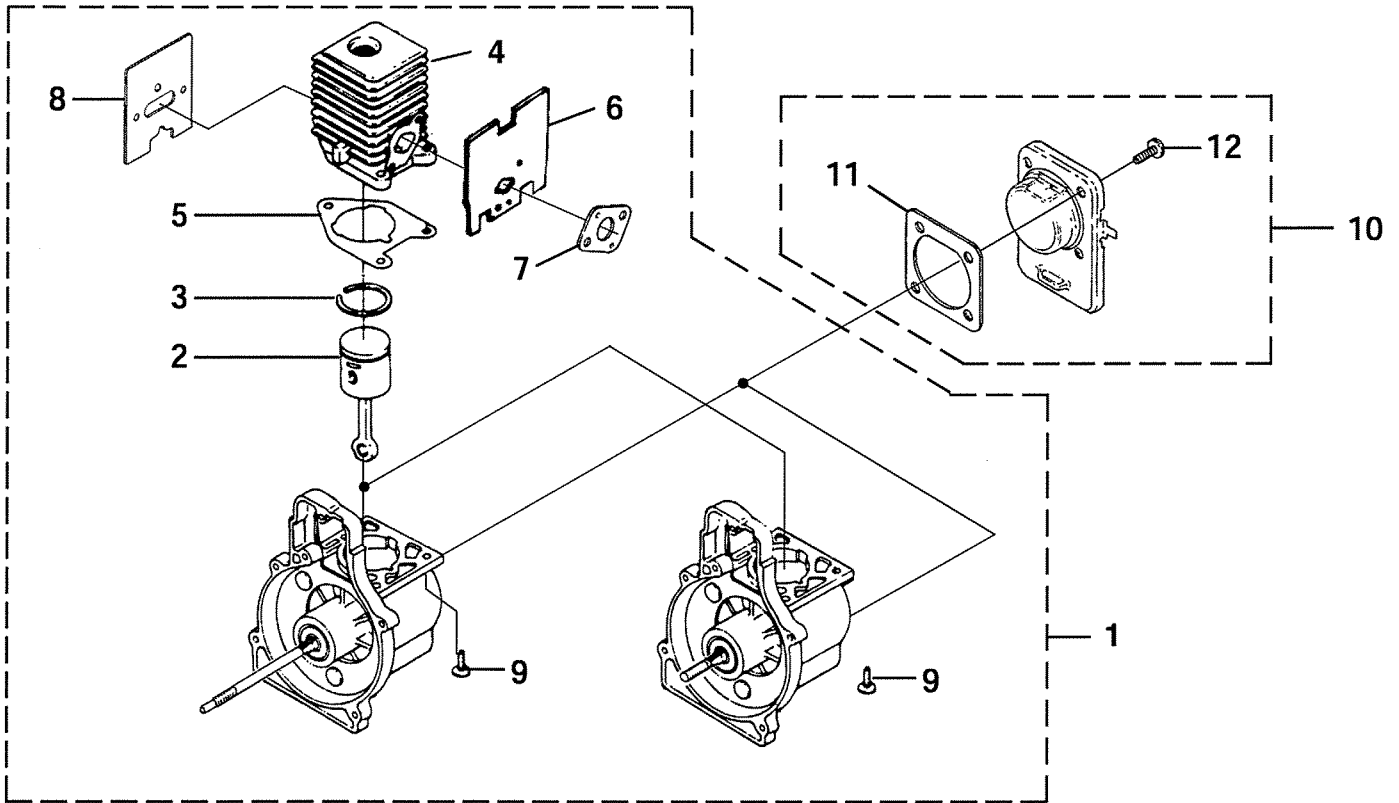
F2030 (UT20777, UT20779)

Clutch

F3050 (UT15179)

ST525 (UT15177)

ENGINE INTERNAL



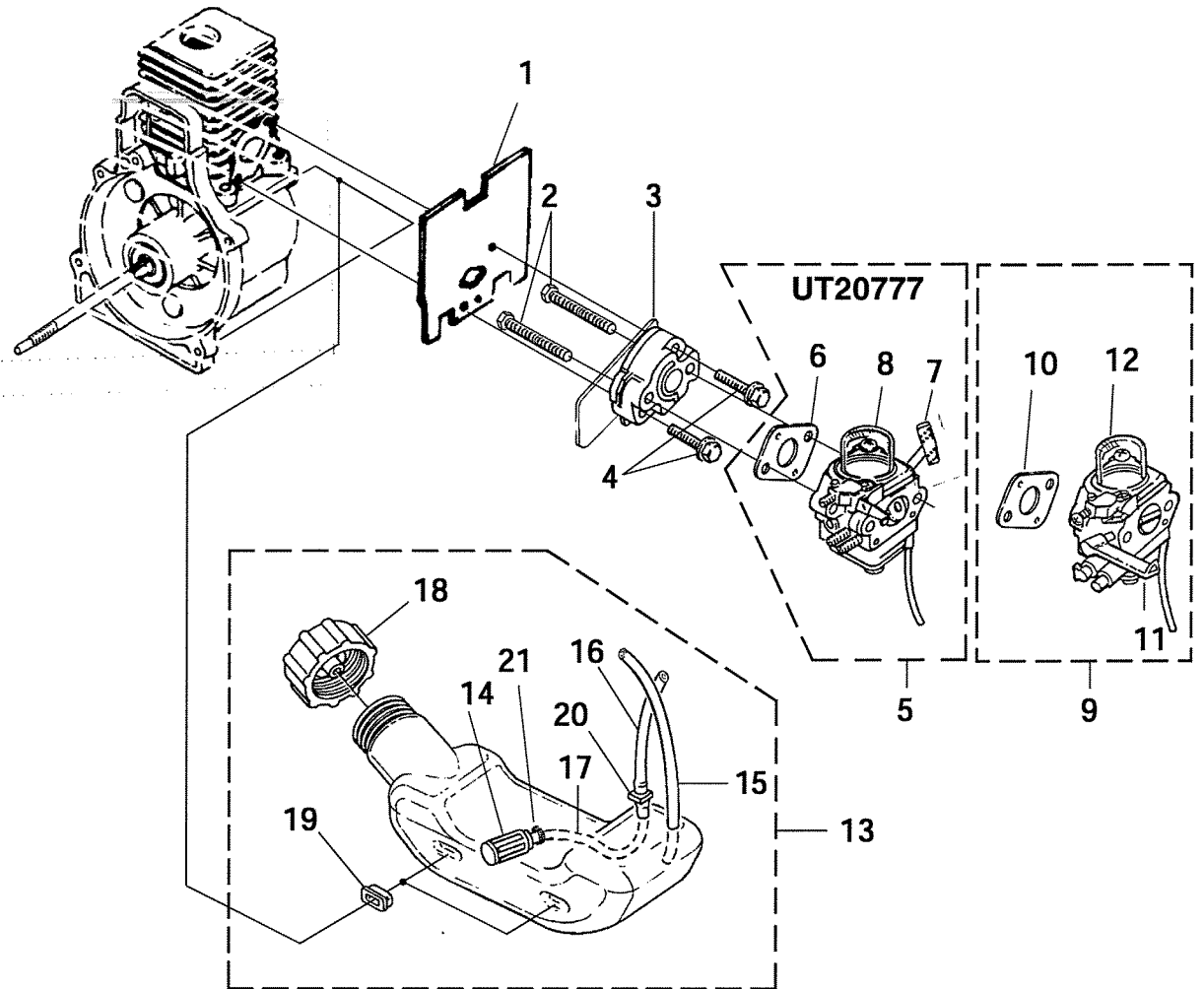
No.	Part No.	Description	Qty.
1	• UP 02994	SHORT BLOCK (Non-Clutch)	1
	• UP 02995	SHORT BLOCK (Clutch)	
2	• UP 00768	PISTON & ROD ASSY.	1
3	UP 03838	RING-Piston	1
4	• UP 04136	CYLINDER ASSY.	1
5	UP 03857	GASKET-Cylinder	1
6	UP 04308	GASKET-Heat Dam	1
7	UP 03916	GASKET-Carburetor	1
8	09343	GASKET-Muffler	1
9	UP 04345	SCREW-Sems (12-24 X 3/4")	3
10	• UP 00019	CRANKCASE COVER ASSEMBLY	1
11	UP 04335	GASKET-Crankcase Cover (Also included w/short block)	1
12	UP 04295	SCREW-Sems (10-24 X 1/2")	4

Item No.	Torque Specs		Required Loctite
	In/Lbs	Nm	
9	55-65	6.2-7.3	Red 262
12	35-45	4.0-5.1	Red 262

Warranty Flat Rate		
Job	Description	Time/Hr.
FB10	Partial Rebuild	1.0
FB20	Short Block	1.0
FD25	Crankcase Cover	.3

Non-Clutch	
F2030	(UT20777, UT20779)
Clutch	
F3050	(UT15179)
ST525	(UT15177)

CARBURETOR - FUEL TANK

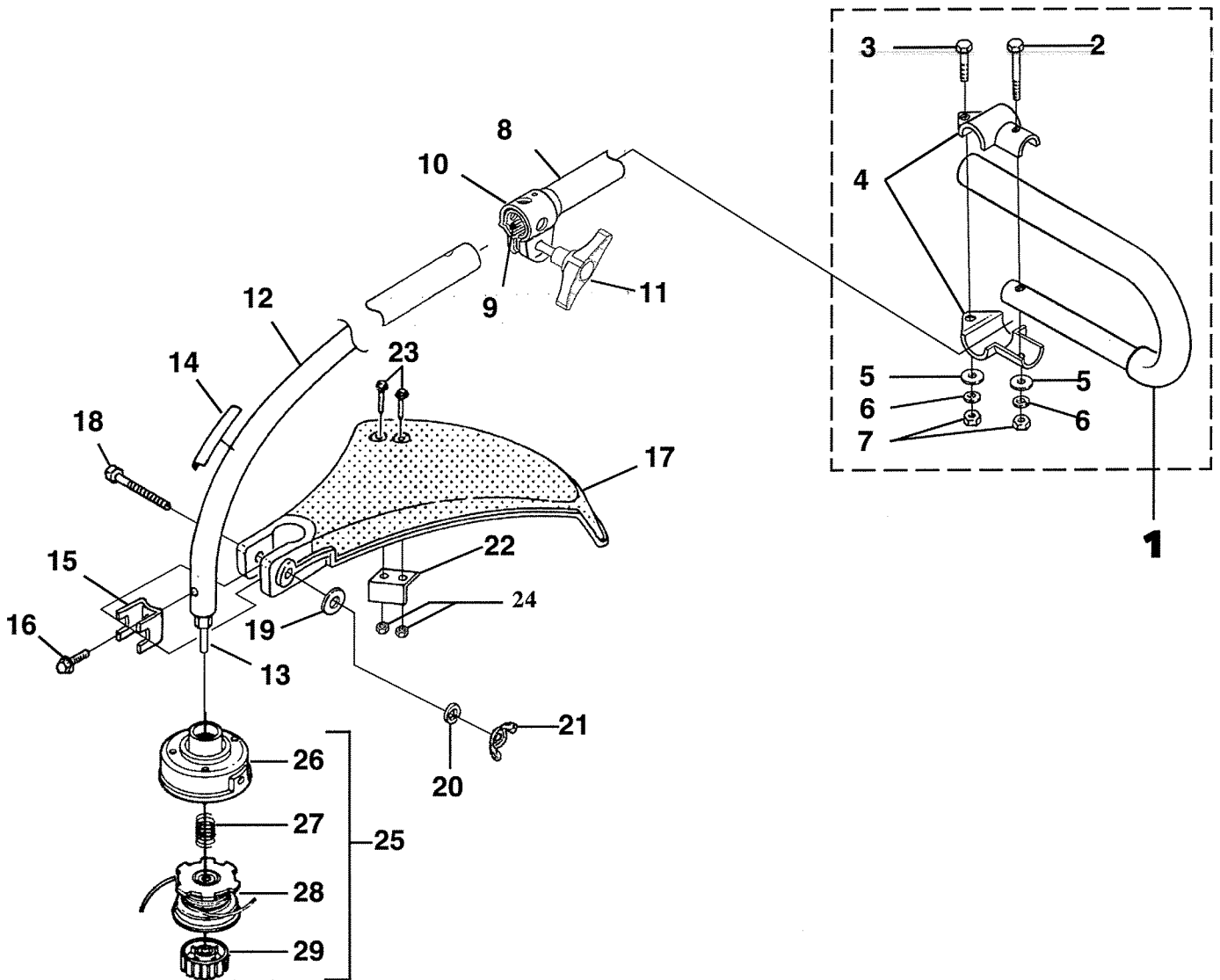


No.	Part No.	Description	Qty.
1	UP 04308	GASKET-Heat Dam	1
2	UP 04131	SCREW-Machine (10-24 X 2 1/4")	2
3	UP 04348	HEAT DAM	1
4	UP 04140	SCREW-Sems (10-24 X 1")	2
5	•UP 00608	CARBURETOR KIT (UT20777)	1
6	UP 03916	GASKET-Carburetor	1
7	UP 04278	Lever-Choke (Zama)	1
8	A 01195 A	Bulb-Primer	1
9	•UP 04742	CARBURETOR KIT (Non Clutch)	1
	UP 05085	CARBURETOR KIT (Clutch)	1
10	UP 03916	GASKET-Carburetor	1
11	UP 04740	Lever-Choke	1
12	A 01195 A	Bulb-Primer	1
13	•UP 00020	FUEL TANK ASSY.	1
14	UP 03871	FILTER-Fuel	1
15	UP 04293	TUBING-Rubber	1
16	UP 04292	TUBING-Rubber	1
17	UP 04715	TUBING-Rubber	1
18	UP 00106	FUEL CAP	1
19	UP 03501	BUMPER-Rubber	3
20	UP 03831	FITTING-Inline	1
21	UP 03913	CLAMP	1

Torque Specs			
Item No.	In/Lbs	Nm	Required Loctite
4	35-45	4.0-5.1	Red 262

Warranty Flat Rate		
Job	Description	Time/Hr.
FF17	Manifold	.3
FF10	Carburetor Rep.	.3
FF16	Fuel Tank	.3
FF12	Fuel/Return Line	.3

SHAFT - SPOOL & STRING - GRASS DEFLECTOR



No.	Part No.	Description	Qty
1	A 07159	HANDLE("J")	1
2	UP 04154	SCREW-Hex Hd. (1/4-20 X 1 1/2")	1
3	UP 04158	SCREW-Hex Hd. (1/4-20 X 1 1/2")	1
4	UP 04105	CLAMP-Handle Bar	2
5	UP 04251	WASHER-Flat (1/4")	2
6	UP 03409	WASHER-Lock (1/4")	2
7	UP 03399	NUT-Hex (1/4-20)	2
8	UP 05136	DRIVESHAFT ASSY. (Upper)	1
9	A 07667	FLEXSHAFT w/Collar & Liner	1
10	UP 03839	COUPLER KIT	1
11	UP 05137	KNOB	1
12	UP 03851	DRIVESHAFT HOUSING (Lower)	1
13	A 07673	SHAFT-Flex	1
14	PS 00038	DECAL-Warning	1
15	07928	CLAMP	1
16	88077	SCREW-Sems Hex (10-24 X 3/8")	1

No.	Part No.	Description	Qty
17	A 04705	DEFLECTOR & BLADE KIT (55 Deg.)	1
18	80295	SCREW-Cap Hex Hd. (1/4-20 X 2")	1
19	84006	WASHER-Flat (1/4")	1
20	83009	WASHER-Lock (1/4")	1
21	93992	NUT-Wing, Washer Faced (1/4-20)	1
22	UP 04119	BLADE-Cut-Off	1
23	82531	SCREW-Mech. Hex Hd. (10-24 X 7/8")	2
24	81208	NUT-Hex (10-24)	2
25	DA 04591 A	STRINGHEAD-Complete (.095")	1
26	A 98231 A	HOUSING & EYELET (Dual Line)	1
27	06713	SPRING-Compression	1
28	UP 00147	SPOOL & STRING (.095")	1
29	DA 98866 A	RETAINER-Spool (R.H. Thread, Black)	1

3/1/2000